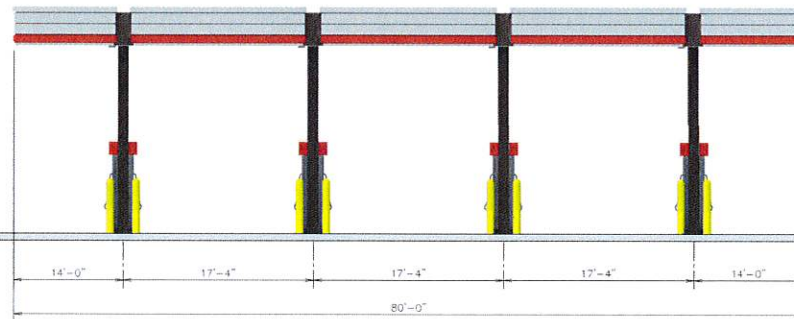
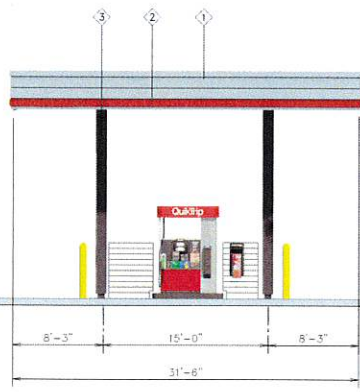


Front Elevation

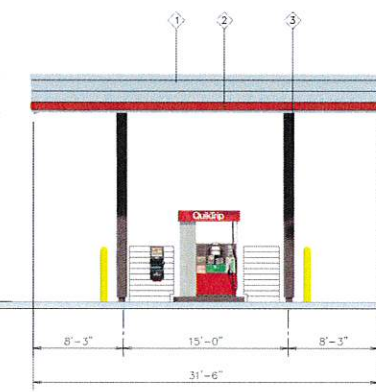


Rear Elevation

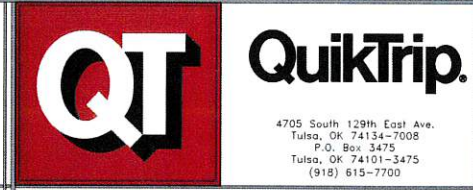


Left Elevation

19'-6" Min./24'-6" Max.  
AFF. Top of Canopy  
16'-0" Min./21'-0" Max.  
AFF. Bottom of Canopy



Right Elevation

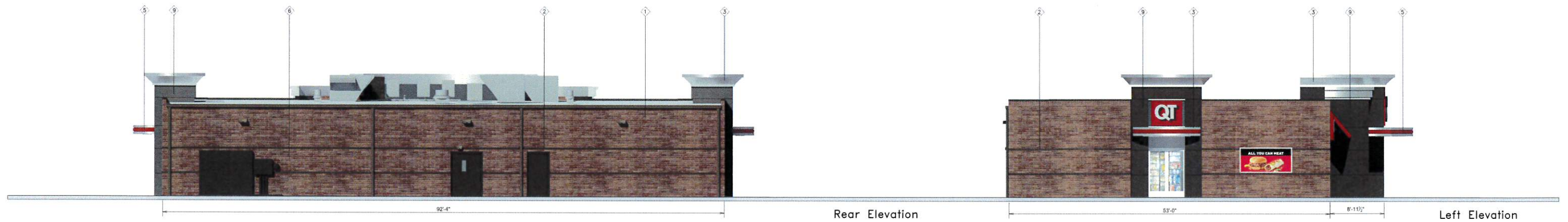
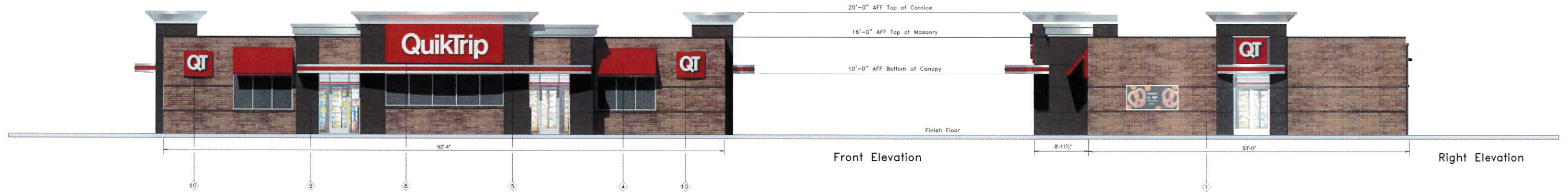



Store #	7318	3 Bay Diesel Canopy	Address:	IL 47 & IL 71	City, State:	Yorkville, IL	
Serial #	89-7318-DV03	Scale:	1/8" = 1'-0"	Issue Date:	05.26.23	Drawn By:	BP

Rev/Notes:	
------------	--

COPYRIGHT © 2011 QUIKTRIP CORPORATION. DESIGN PATENTS. QUIKTRIP PLANS ARE THE EXCLUSIVE PROPERTY OF QUIKTRIP CORPORATION, TULSA, OKLAHOMA. THESE PLANS ARE PROTECTED IN THEIR ENTIRETY BY DOMESTIC AND INTERNATIONAL COPYRIGHT AND PATENT STATUTES. ANY UNAUTHORIZED USE, REPRODUCTION, PUBLICATION, DISTRIBUTION OR SALE IN WHOLE OR IN PART, IS STRICTLY FORBIDDEN.

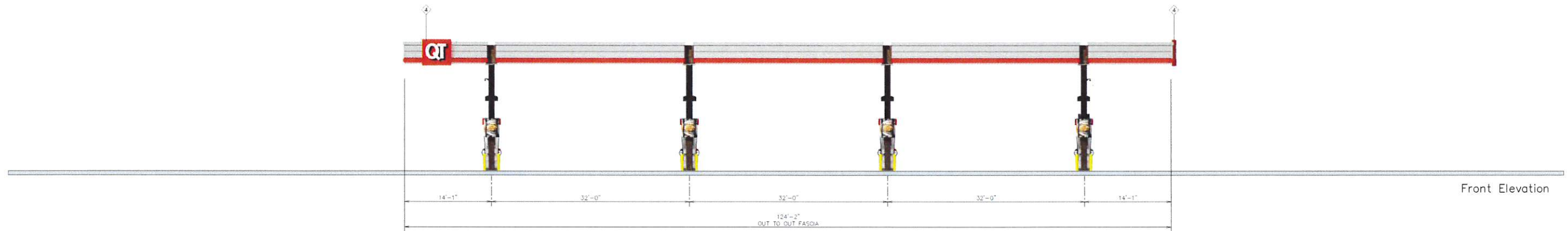
①	FINISH	MANUFACTURER	SPECIFICATION
1	BRUSHED ALUMINUM	RR INDUSTRIES	CANOPY
2	150 POLYCARBONATE	GREEN INDUSTRIES	ILLUMINATED PANEL
3	QT BROWN	SHERWIN-WILLIAMS	METAL PAINT
4	BLACK	ALL COURT FABRICS	POLYPROP 35 MESH
5	BRICKSTONE	INTERSTATE BRICK	ATLAS STRUCTURAL BRICK



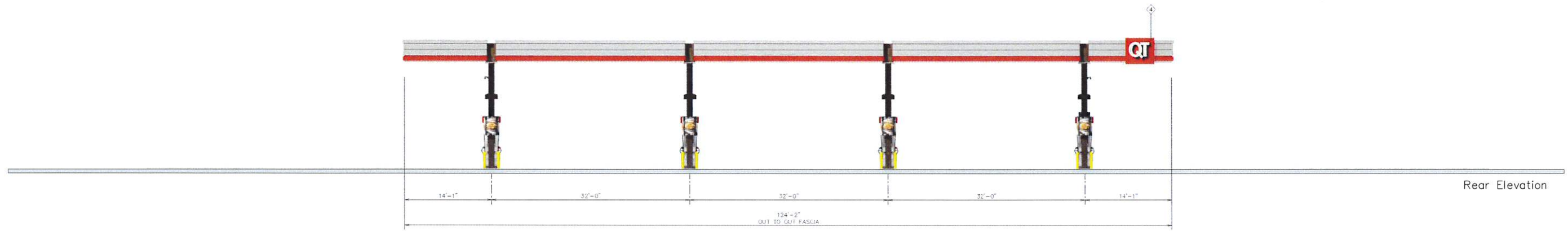
 <p><b>QuikTrip.</b> 4705 South 129th East Ave. Tulsa, OK 74134-7008 P.O. Box 3475 Tulsa, OK 74101-3475 (918) 615-7700</p>	Store # <b>7318</b>	Gen3SE	Address: <b>IL 47 &amp; IL 71</b>	City, State: <b>Yorkville, IL</b>	<table border="1"> <thead> <tr> <th>①</th> <th>FINISH</th> <th>MANUFACTURER</th> <th>SPECIFICATION</th> </tr> </thead> <tbody> <tr> <td>1</td> <td>BRONZESTONE</td> <td>INTERSTATE BRICK</td> <td>ATLAS STRUCTURAL BRICK</td> </tr> <tr> <td>2</td> <td>MIDNIGHT</td> <td>INTERSTATE BRICK</td> <td>ATLAS STRUCTURAL BRICK</td> </tr> <tr> <td>3</td> <td>BRUSHED ALUMINUM</td> <td>REYNOLDBOND</td> <td>FASCIA</td> </tr> <tr> <td>4</td> <td>QT RED</td> <td>SHERWIN-WILLIAMS</td> <td>STANDING SEAM AWNING</td> </tr> <tr> <td>5</td> <td>RED POLYCARBONATE</td> <td>ALLEN INDUSTRIES</td> <td>ILLUMINATED BAND</td> </tr> <tr> <td>6</td> <td>QT BROWN</td> <td>SHERWIN-WILLIAMS</td> <td>METAL PAINT</td> </tr> <tr> <td>7</td> <td>BLACK</td> <td>ALL COURT FABRICS</td> <td>POLYPRO 95 MESH</td> </tr> <tr> <td>8</td> <td>CLR BR</td> <td>ALLEN INDUSTRIES</td> <td>SIGNAGE</td> </tr> <tr> <td>9</td> <td>GRANITE</td> <td>STO</td> <td>A100G EIFS</td> </tr> <tr> <td>10</td> <td>IDB-20</td> <td>ALLEN INDUSTRIES</td> <td>ILLUMINATED SIGNAGE</td> </tr> </tbody> </table>	①	FINISH	MANUFACTURER	SPECIFICATION	1	BRONZESTONE	INTERSTATE BRICK	ATLAS STRUCTURAL BRICK	2	MIDNIGHT	INTERSTATE BRICK	ATLAS STRUCTURAL BRICK	3	BRUSHED ALUMINUM	REYNOLDBOND	FASCIA	4	QT RED	SHERWIN-WILLIAMS	STANDING SEAM AWNING	5	RED POLYCARBONATE	ALLEN INDUSTRIES	ILLUMINATED BAND	6	QT BROWN	SHERWIN-WILLIAMS	METAL PAINT	7	BLACK	ALL COURT FABRICS	POLYPRO 95 MESH	8	CLR BR	ALLEN INDUSTRIES	SIGNAGE	9	GRANITE	STO	A100G EIFS	10	IDB-20	ALLEN INDUSTRIES	ILLUMINATED SIGNAGE
	①	FINISH	MANUFACTURER	SPECIFICATION																																													
1	BRONZESTONE	INTERSTATE BRICK	ATLAS STRUCTURAL BRICK																																														
2	MIDNIGHT	INTERSTATE BRICK	ATLAS STRUCTURAL BRICK																																														
3	BRUSHED ALUMINUM	REYNOLDBOND	FASCIA																																														
4	QT RED	SHERWIN-WILLIAMS	STANDING SEAM AWNING																																														
5	RED POLYCARBONATE	ALLEN INDUSTRIES	ILLUMINATED BAND																																														
6	QT BROWN	SHERWIN-WILLIAMS	METAL PAINT																																														
7	BLACK	ALL COURT FABRICS	POLYPRO 95 MESH																																														
8	CLR BR	ALLEN INDUSTRIES	SIGNAGE																																														
9	GRANITE	STO	A100G EIFS																																														
10	IDB-20	ALLEN INDUSTRIES	ILLUMINATED SIGNAGE																																														
Serial # <b>89-7318 Gen3SE</b>	Scale: <b>1/16" = 1'-0"</b>	Issue Date: <b>5-26-2023</b>	Drawn By:	Rev/Notes:																																													

COPYRIGHT © 2011 QUIKTRIP CORPORATION DESIGN PATENTS QUIKTRIP PLANS ARE THE EXCLUSIVE PROPERTY OF QUIKTRIP CORPORATION, TULSA, OKLAHOMA. THESE PLANS ARE PROTECTED IN THEIR ENTIRETY BY DOMESTIC AND INTERNATIONAL COPYRIGHT AND PATENT STATUTES. ANY UNAUTHORIZED USE, REPRODUCTION, PUBLICATION, DISTRIBUTION OR SALE IN WHOLE OR IN PART, IS STRICTLY FORBIDDEN.

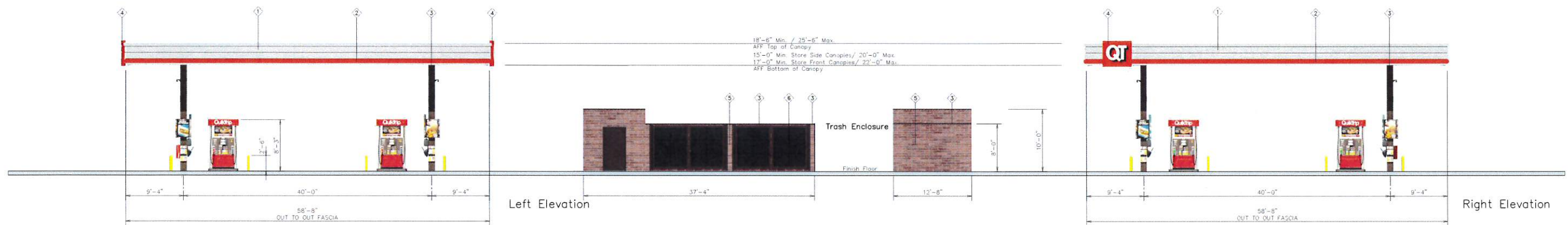




Front Elevation



Rear Elevation



Left Elevation

Right Elevation



Store # 7318 Double Stack 8 Canopy Elevations

Address: IL 47 & IL 71

City, State: Yorkville, IL

Serial # 89-7318-GD08

Scale: 1/8" = 1'-0" Issue Date: 05.26.23

Drawn By: BP

Rev/Notes:

COPYRIGHT © 2011 QUIKTRIP CORPORATION DESIGN PATENTS QUIKTRIP PLANS ARE THE EXCLUSIVE PROPERTY OF QUIKTRIP CORPORATION, TULSA, OKLAHOMA. THESE PLANS ARE PROTECTED IN THEIR ENTIRETY BY DOMESTIC AND INTERNATIONAL COPYRIGHT AND PATENT STATUTES. ANY UNAUTHORIZED USE, REPRODUCTION, PUBLICATION, DISTRIBUTION OR SALE IN WHOLE OR IN PART, IS STRICTLY FORBIDDEN.

②	FINISH	MANUFACTURER	SPECIFICATION
1	BRITZLEY ALUMINUM	BE THORP	CANOPY
2	RED POLY CARBONATE	ALLEN INDUSTRIES	ILLUMINATED BAND
3	OT BROWN	SHERWIN - WILLIAMS	METAL PAINT
4	10'-0"	ALLEN INDUSTRIES	ILLUMINATED SIGNAGE
5	BRICKSTONE	INTERSTATE BRICK	ATLAS STRUCTURAL BRICK
6	BLACK	ALL COURT FABRICS	POLYPROP 55 MESH