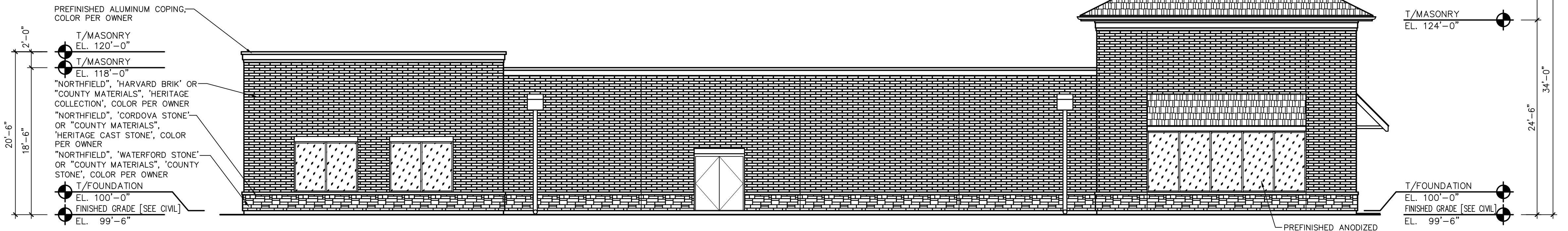
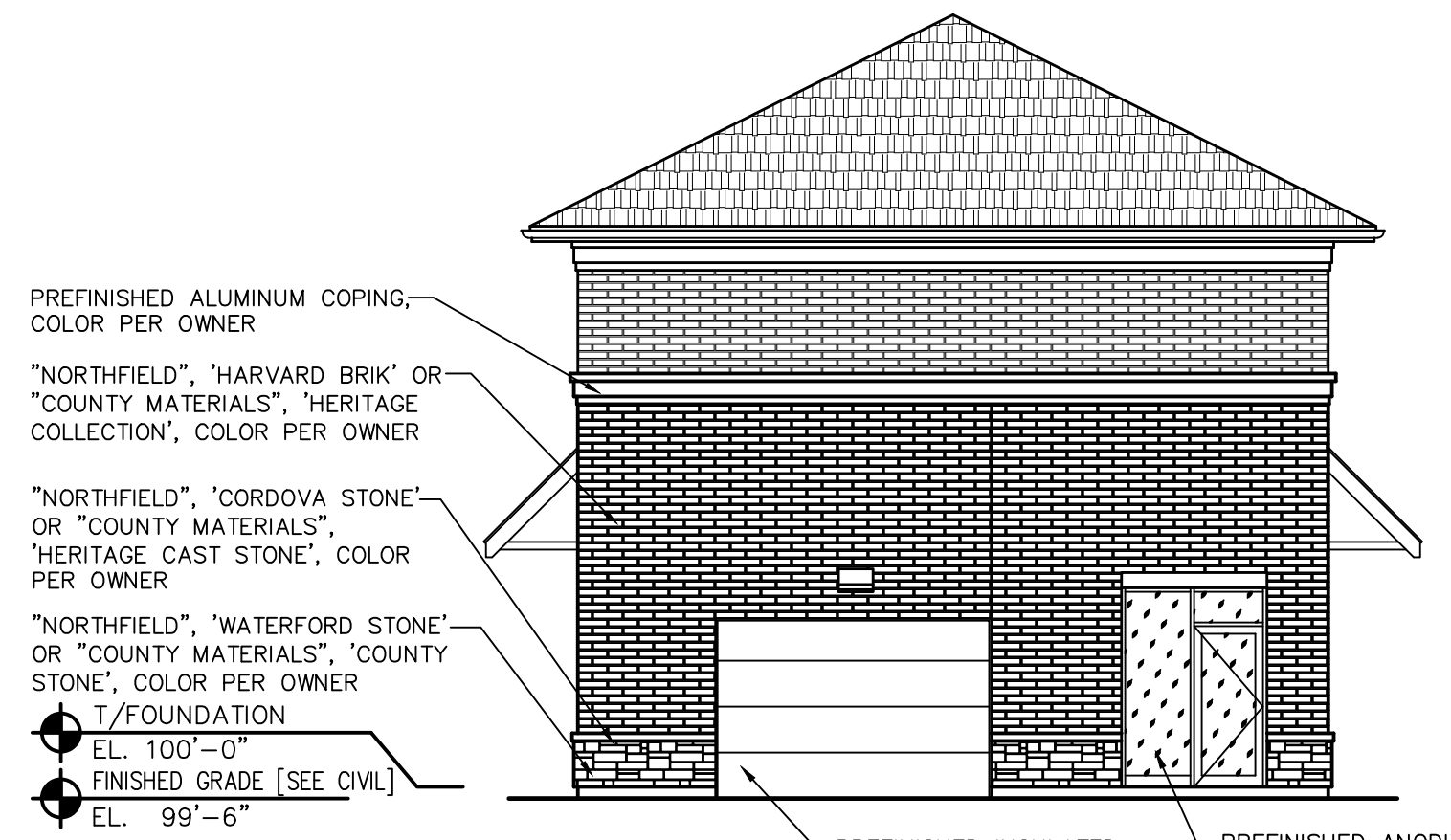


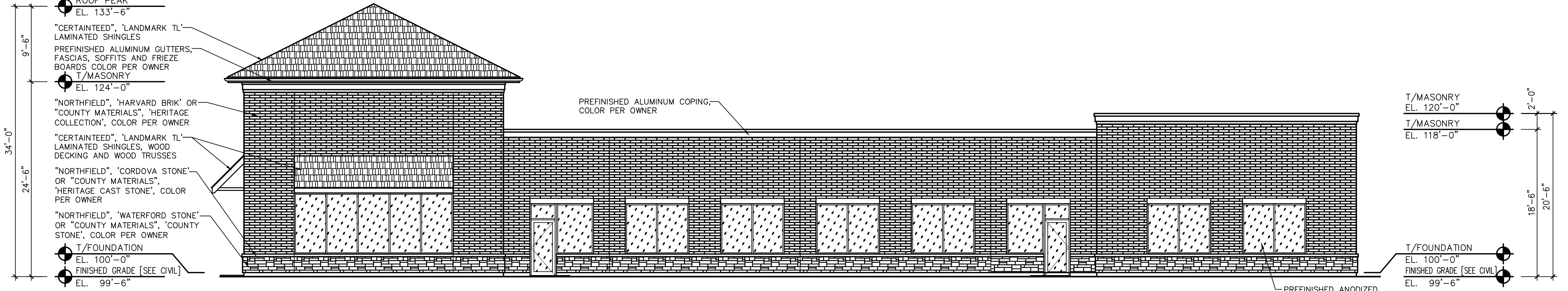
CARWASH WEST ELEVATION
SCALE: 1/8" = 1'-0"



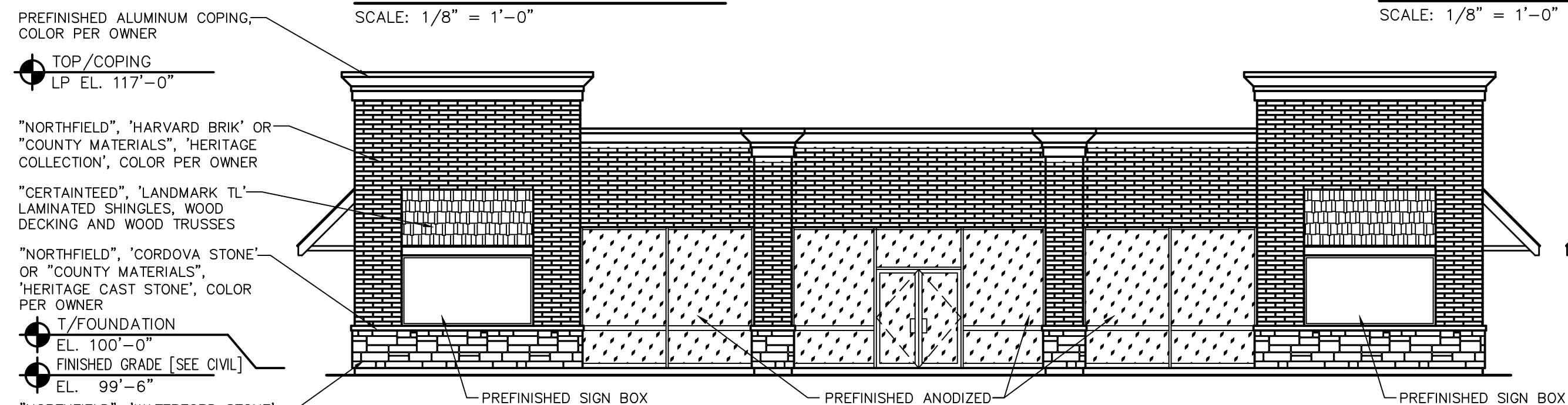
CARWASH NORTH ELEVATION
SCALE: 1/8" = 1'-0"



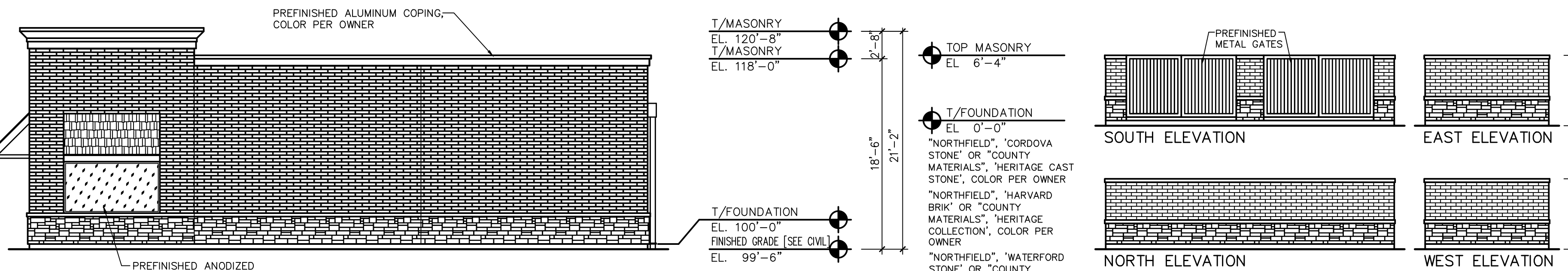
CARWASH EAST ELEVATION
SCALE: 1/8" = 1'-0"



CARWASH SOUTH ELEVATION
SCALE: 1/8" = 1'-0"

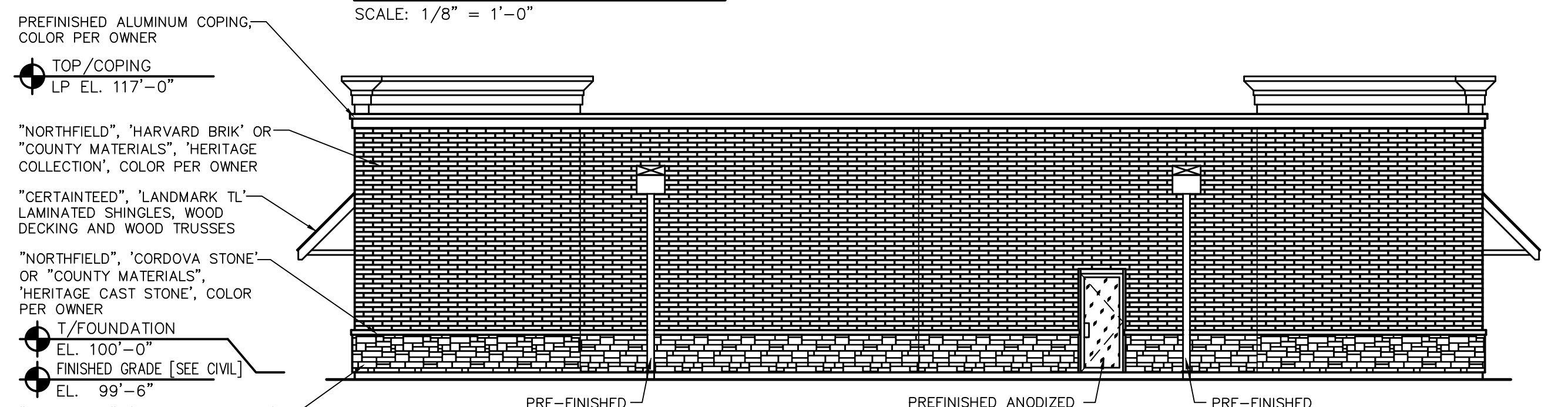


RETAIL WEST ELEVATION
SCALE: 1/8" = 1'-0"

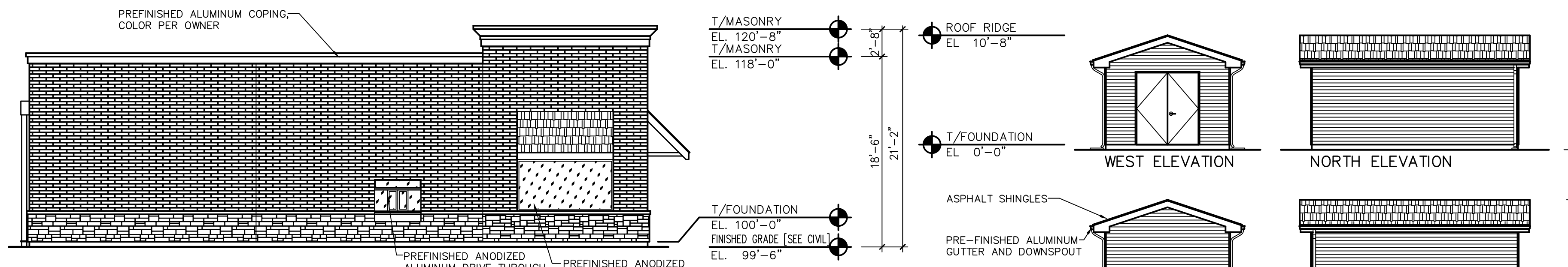


RETAIL SOUTH ELEVATION
SCALE: 1/8" = 1'-0"

REFUSE ENCLOSURE ELEVATIONS
SCALE: 1/8" = 1'-0"



RETAIL EAST ELEVATION
SCALE: 1/8" = 1'-0"



RETAIL NORTH ELEVATION
SCALE: 1/8" = 1'-0"

MAINTENANCE SHED ELEVATIONS
SCALE: 1/8" = 1'-0"

GAS AND WASH

NEC STATE ROUTE 47 AND WATERPARK WAY
YORKVILLE, ILLINOIS